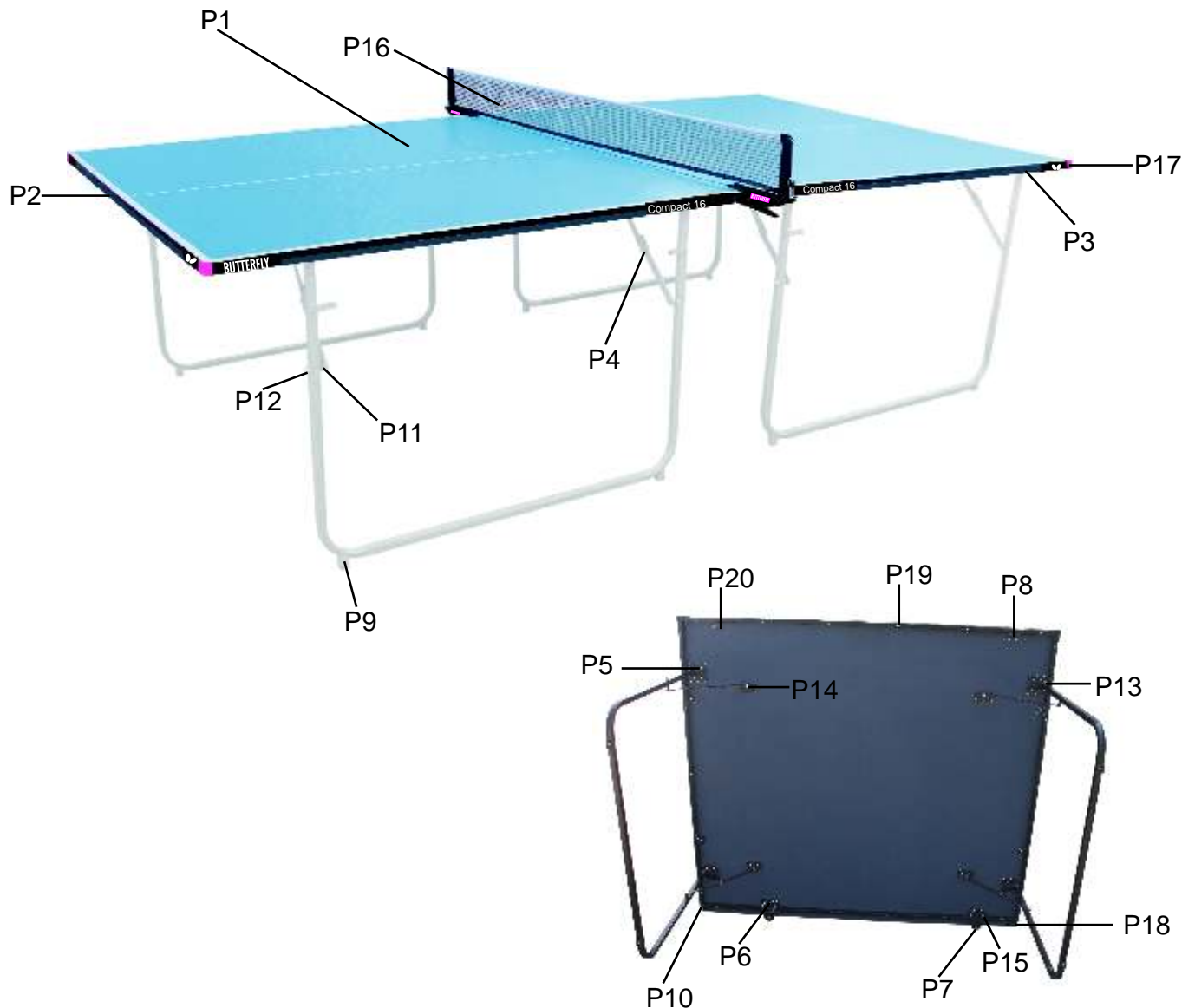


# BUTTERFLY

## Compact 16 Table Tennis Table



# COMPACT INDOOR PART LIST



- P 1. TABLE TOP - 1525×1370×16 MM - 2 NOS.
- P 2. END FRAME PIPE & INNER FRAME PIPE - 1490×16×16MM - 4 NOS.
- P 3. SIDE FRAME PIPE - 1310×23×17MM - 4 NOS.
- P 4. HINGES TO CLOSE & OPEN LEGS - 360×19×4MM - 8 NOS.
- P 5. BRACKET TO ATTACH LEGS WITH TABLE TOP - 78×18MM - 24 NOS.
- P 6. BRACKET TO ATTACH WHEEL CLIP WITH TABLE TOP - 100×18MM - 4 NOS.
- P 7. WHEELS - 50MM - 4 NOS.
- P 8. BRACKET TO ATTACH FRAME PIPE WITH TABLE TOP - 38×38MM - 12 NOS.
- P 9. PLASTIC CAP FOR LEGS - 19MMSQ - 8 NOS.
- P 10. PLASTIC L-CORNER TO ATTACH SIDE FRAME WITH INNER FRAME - 16×16MM - 4 NOS.
- P 11. PLASTIC SPACER B/W LEGS & HINGES - 18MM - 8 NOS.
- P 12. MACHINE SCREW TO ATTACH HINGES WITH LEGS - 38×6MM - 8 NOS.
- P 13. MACHINE SCREW TO ATTACH LEGS WITH BRACKET - 31×6MM - 8 NOS.
- P 14. MACHINE SCREW TO ATTACH LEGS WITH BRACKET & HINGES - 19×6MM - 8 NOS.
- P 15. NUT, BOLT & WASHER TO ATTACH WHEELS WITH INNER FRAME PIPE - 25×6MM - 8 NOS.
- P 16. NET & POST - 1 SET
- P 17. OUTER CORNER - 25×18MM - 4 NOS.
- P 18. POST PATTI - 50×25×2MM - 4 NOS.
- P 19. SCREW - 8×32 - 44 NOS.
- P 20. SCREW - 8×13 - 216 NOS.